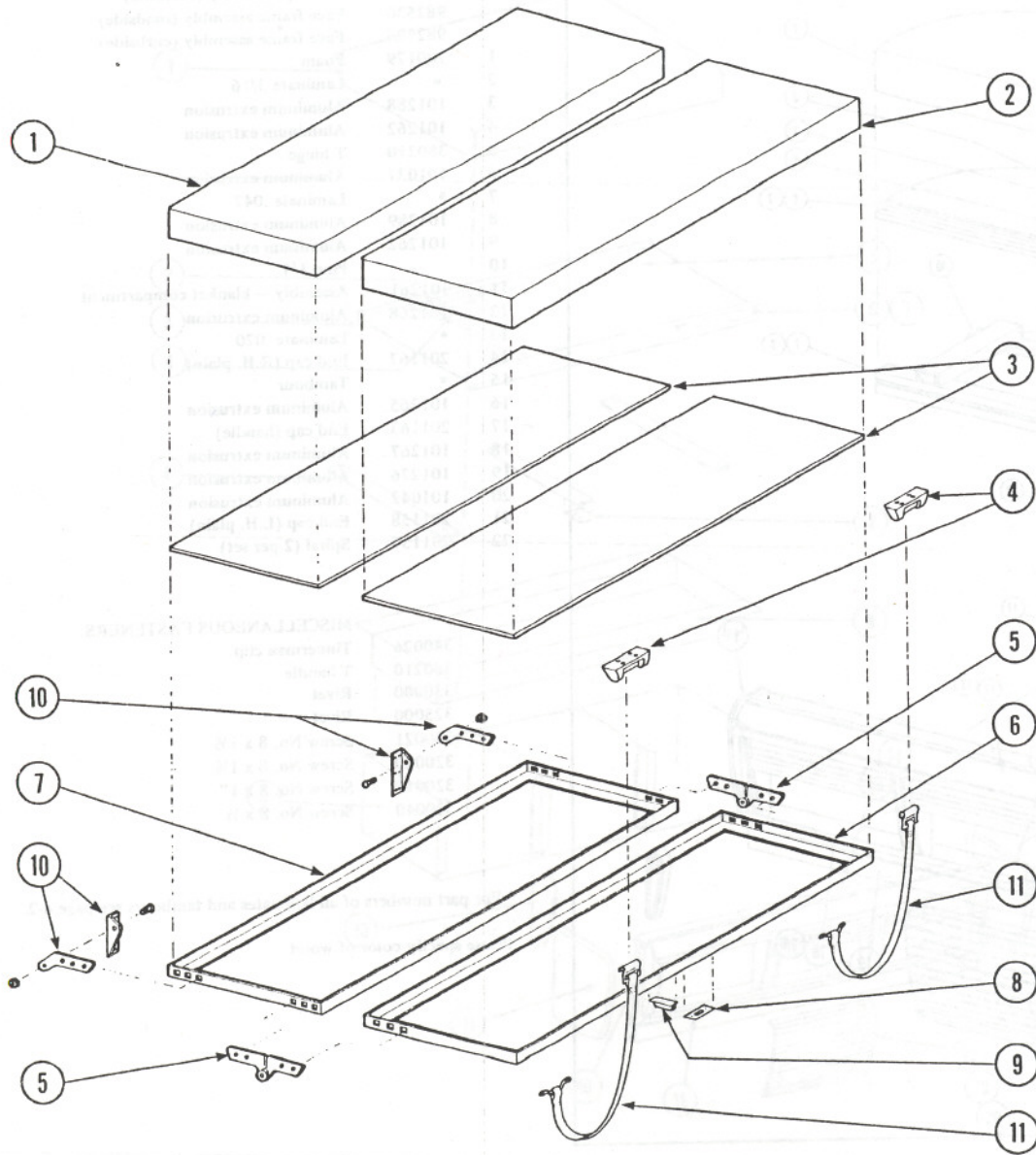


Bunk Bed Assembly



No.	Part No.	Description
	994059	Bunk bed assembly 74"
1	700052	Foam, bunk bed 74"
2	700050	Foam bolster 74"
3	800087	Plywood 3/8"
4	380274	Ceiling hooks
5	380273	Bunk hinge (R and L set)
6	101320	Frame, bolster 74"
7	101319	Frame bolster extension 74"
8	340018	Catch plate
9	380291	S. L. Latch
10	380271	Support arm (R and L set)
11	380272	Bunk bed strap assembly
MISCELLANEOUS FASTENERS		
	345004	Screw 3/8 x 16 U.N.C. x 3/4"
	345005	Shoulder bolt. Step 1/2" x 3/8 thread
	350005	Nut 3/8 x 16 U.N.C.

Installation of Bunk Beds

1. Center bunk over bed equal distance between bed panels.
2. Install wall brackets 23 3/4" from top of bed rail to bottom of bracket.
3. Wall bracket spacing: Long bunk - 74 1/4" from outside to outside.
4. Attach bunk to wall brackets with bolts provided.
5. Install straps and ceiling brackets in multidome vertically above bunk.